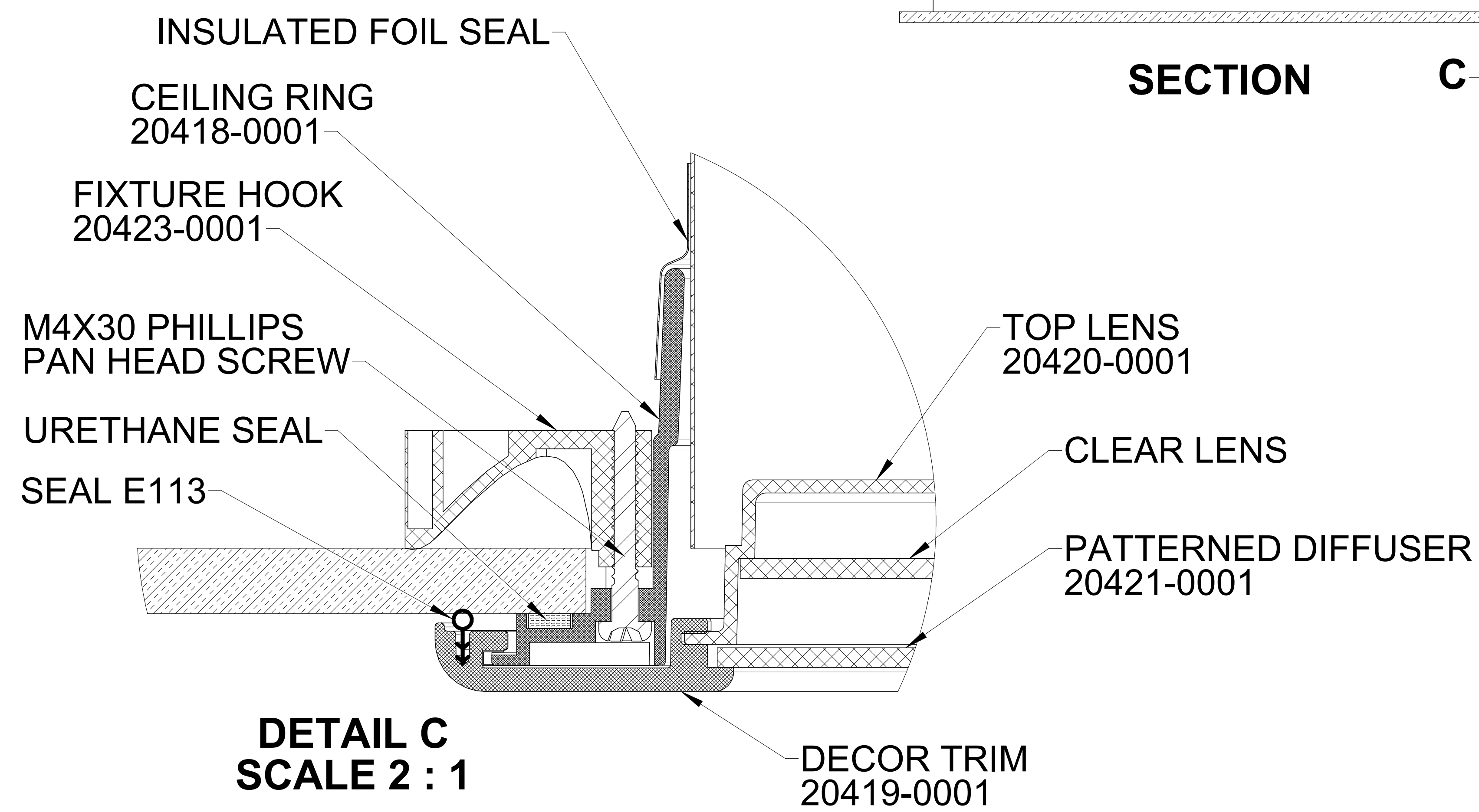
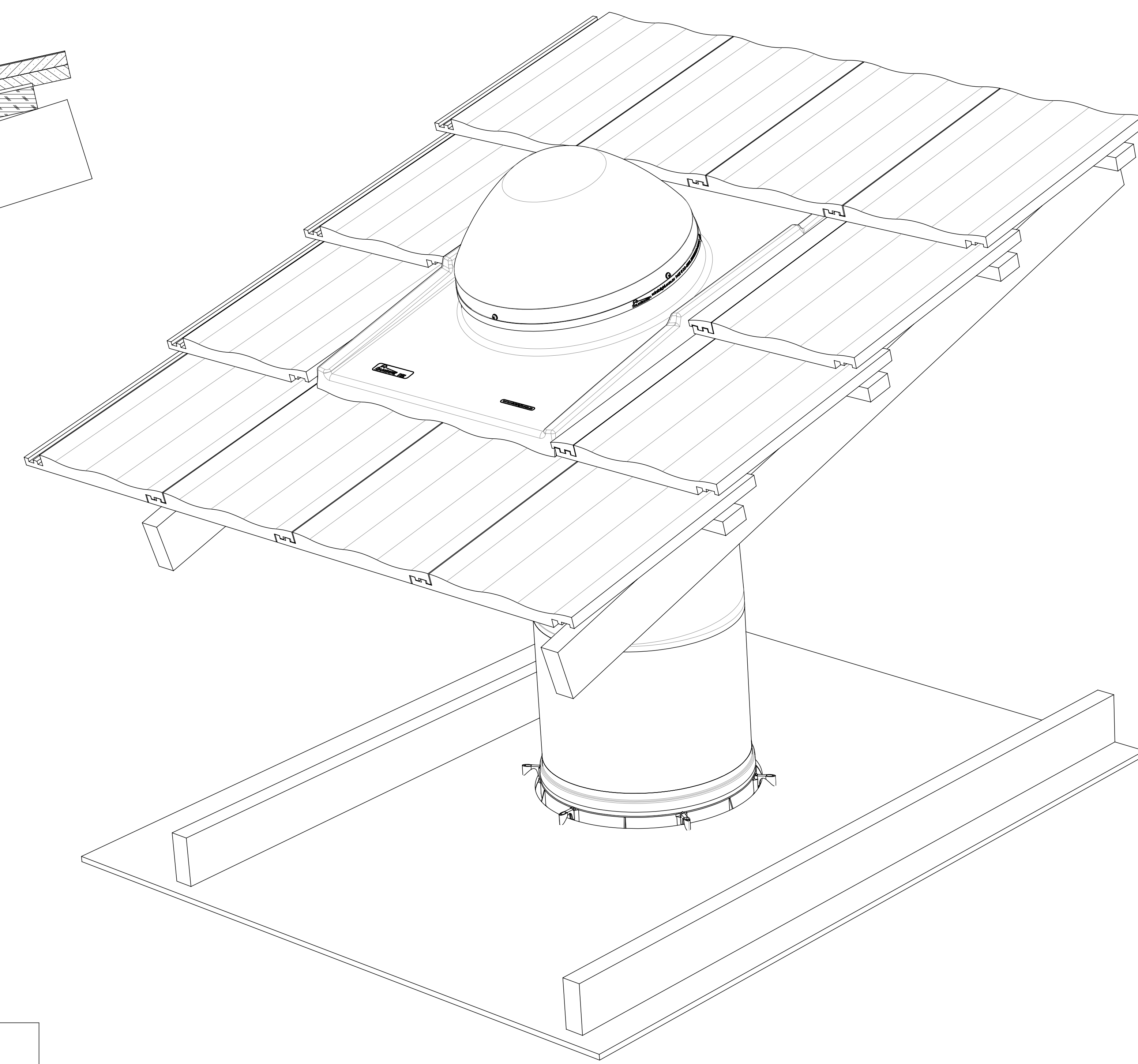
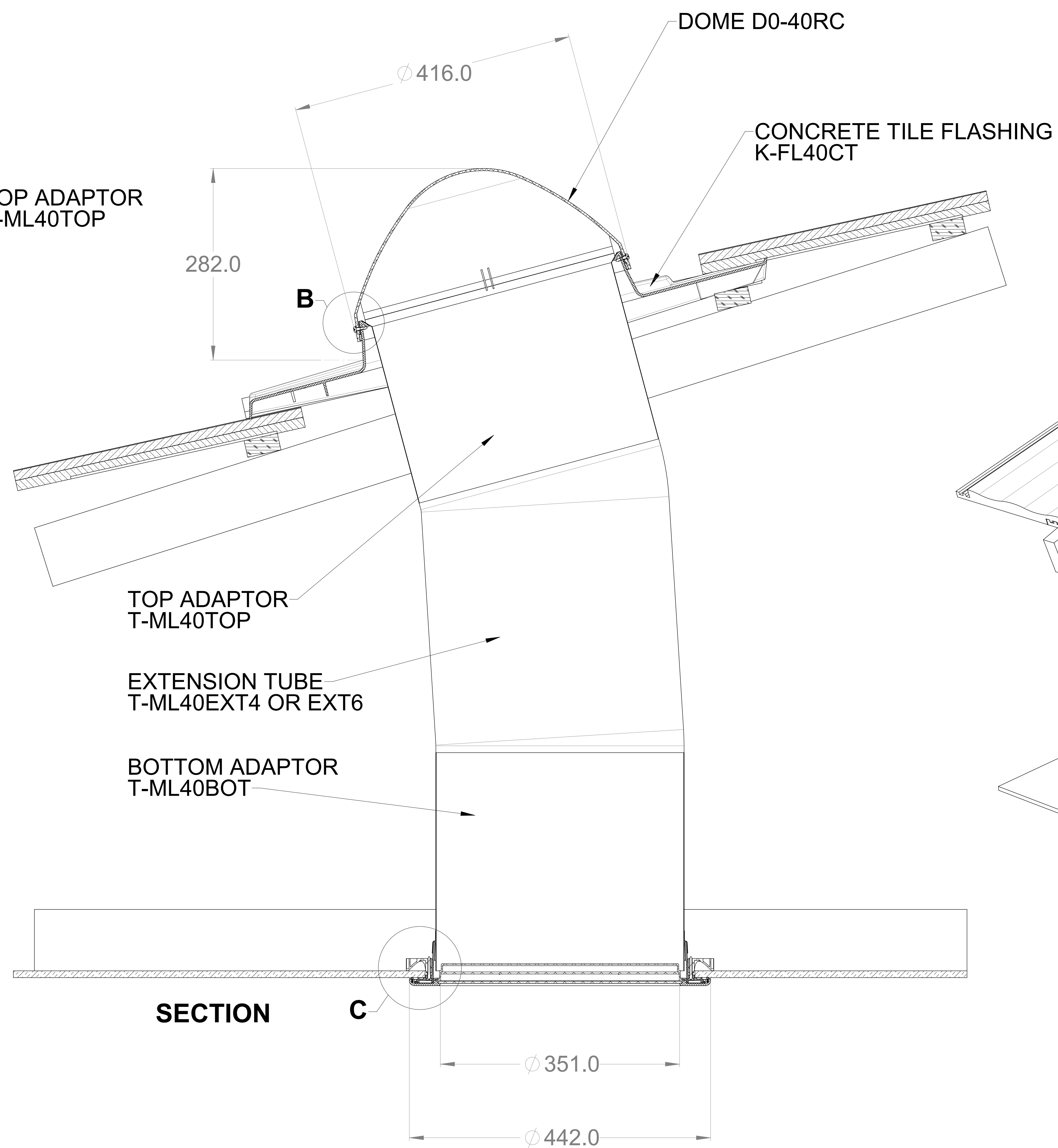


DETAIL B
 SCALE 2 : 1



DETAIL C
 SCALE 2 : 1

NOTES

1. STRUCTURAL ELEMENTS SHOWN FOR REFERENCE ONLY
2. ALL DIMENSIONS IN METRIC MM



SOLAR BRIGHT AUSTRALIA PTY LTD

11 Progress Circuit, Prestons, NSW, 2170 Australia.

ALL DIM IN MM	DO NOT SCALE	3RD ANGLE PROJECTION	AS1100	THIS PRINT	Thursday, 29 June 2023 8:47:02 PM
THIS IS THE CONTROL DRAWING FOR THE CAD FILE: DRAWINGNAME-REVISION.EXTENSION				SHEET SIZE	SHEET NUMBER
GENERAL TOLERANCES (UNLESS OTHERWISE STATED):				A0	1 / 1
X = ±1.000 XX = ±0.250				1:4	REVISION
X.XX = ±0.025 (X) = REF. DIM.					B

DRAWING NAME

MAXLIGHT 400 TILED
 FOR GYPSOCK – HARD CEILING

REVISION

B